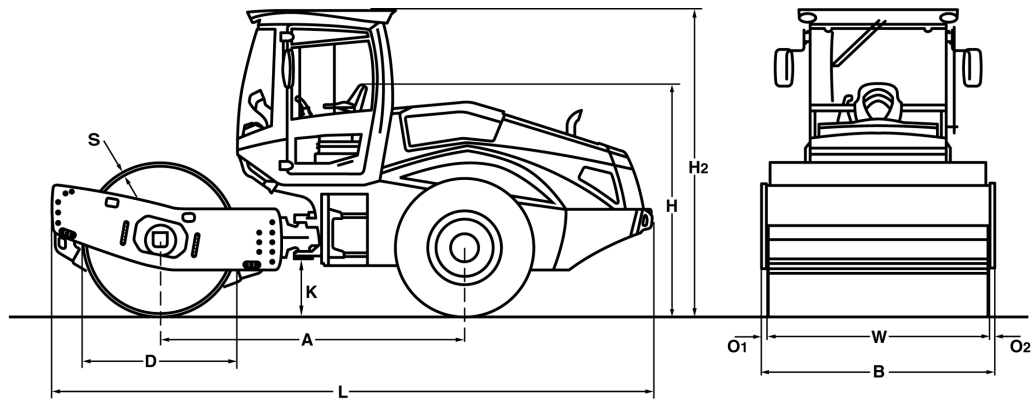


TECHNICAL DATA

SINGLE DRUM ROLLERS

BW 213 D-5, BW 213 DH-5, BW 213 PDH-5





Dimensions in mm

| | A | B | D | H | H2 | K | L | O1 | O2 | S | W |
|---------------------|----------|----------|----------|----------|-----------|----------|----------|-----------|-----------|----------|----------|
| BW 213 D-5 | 2975 | 2270 | 1500 | 2250 | 2990 | 490 | 5870 | 70 | 70 | 30 | 2130 |
| BW 213 DH-5 | 2975 | 2270 | 1500 | 2250 | 2990 | 490 | 5870 | 70 | 70 | 30 | 2130 |
| BW 213 PDH-5 | 2975 | 2270 | 1480 | 2250 | 2990 | 490 | 5870 | 70 | 70 | 25 | 2130 |

Shipping dimensions in m3

BW 213 D-5
BW 213 DH-5
BW 213 PDH-5

without ROPS

29,981
 29,981
 29,981

with ROPS

39,841
 39,841
 39,841

| Machine type | Compaction output (m3/h) | | | |
|---------------------|---------------------------------|---------------------|-------------------|-------------------|
| | Rock fill | Gravel, sand | Mixed soil | Silt, clay |
| BW 213 D-5 | 470-940 | 300-600 | 240-480 | 120-240 |
| BW 213 DH-5 | 530-1060 | 360-720 | 270-540 | 180-360 |
| BW 213 PDH-5 | 530-1060 | 360-720 | 270-540 | 210-420 |

| Machine type | Compacted layer thickness (m) | | | |
|---------------------|--------------------------------------|---------------------|-------------------|-------------------|
| | Rock fill | Gravel, sand | Mixed soil | Silt, clay |
| BW 213 D-5 | 0,80 | 0,50 | 0,40 | 0,20 |
| BW 213 DH-5 | 0,80 | 0,50 | 0,40 | 0,25 |
| BW 213 PDH-5 | 0,90 | 0,60 | 0,50 | 0,30 |

Technical Data**BOMAG
BW 213 D-5****BOMAG
BW 213 DH-5****BOMAG
BW 213 PDH-5****Weights**

| | | | | |
|-------------------------------------|-------|--------|--------|--------|
| Grossweight | kg | 14.800 | 15.800 | 14.870 |
| Operating weight CECE w. ROPS-cabin | kg | 12.600 | 12.720 | 13.830 |
| Axle load, drum CECE | kg | 7.550 | 7.560 | 8.670 |
| Axle load, wheels CECE | kg | 5.050 | 5.160 | 5.160 |
| Static linear load CECE | kg/cm | 35,4 | 35,5 | |

Dimensions

| | | | | |
|---------------------------|----|-------|-------|-------|
| Working width | mm | 2.130 | 2.130 | 2.130 |
| Track radius, inner | mm | 3.680 | 3.680 | 3.680 |

Driving Characteristics

| | | | | |
|--|------|---------|---------|---------|
| Speed (1) | km/h | 0- 5,0 | | |
| Speed (2) | km/h | 0- 6,0 | | |
| Speed (3) | km/h | 0- 8,0 | | |
| Speed (4) | km/h | 0- 11,0 | | |
| Speed | km/h | | 0- 12,0 | 0- 12,0 |
| Max. gradeability without/with vibr. ... | % | 45/43 | 60/57 | 62/60 |

Drive

| | | | | |
|----------------------------------|-------|-------------|------------------|------------------|
| Engine manufacturer | | Deutz | Deutz | Deutz |
| Type | | TCD 3.6 L4 | TCD 4.1 | TCD 4.1 |
| Emission stage | | Stage V | Stage V / TIER4f | Stage V / TIER4f |
| Exhaust gas aftertreatment | | DOC+DPF+SCR | DOC+DPF+SCR | DOC+DPF+SCR |
| Cooling | | Liquid | Liquid | Liquid |
| Number of cylinders | | 4 | 4 | 4 |
| Performance ISO 3046 | kW | 95,0 | 115,0 | 115,0 |
| Performance SAE J 1995 | hp | 128,0 | 155,0 | 155,0 |
| Speed | min-1 | 2.000 | 2.100 | 2.100 |
| Fuel | | Diesel | Diesel | Diesel |
| Electric equipment | V | 12 | 12 | 12 |
| Drive system | | hydrost. | hydrost. | hydrost. |
| Drum driven | | standard | standard | standard |

Drums and Tyres

| | | | | |
|----------------------------|-----|--------------|--------------|--------------|
| Number of pad feet | | | | 150 |
| Area of one pad foot | cm2 | | | 137 |
| Height of pad feet | mm | | | 100 |
| Tyre size | | 23.1-26 12PR | 23.1-26 12PR | 23.1-26 12PR |

Brakes

| | | | | |
|---------------------|--|-----------|-----------|-----------|
| Service brake | | hydrost. | hydrost. | hydrost. |
| Parking brake | | hydromec. | hydromec. | hydromec. |

Steering

| | | | | |
|--|------|--------------|--------------|--------------|
| Steering system | | oscil.artic. | oscil.artic. | oscil.artic. |
| Steering method | | hydrost. | hydrost. | hydrost. |
| Steering / oscillating angle +/- | grad | 35/12 | 35/12 | 35/12 |

Exciter system

| | | | | |
|-------------------------|----|-----------|-----------|-----------|
| Drive system | | hydrost. | hydrost. | hydrost. |
| Frequency | Hz | 30/34 | 30/34 | 30/34 |
| Amplitude | mm | 2,10/1,10 | 2,10/1,10 | 1,70/0,90 |
| Centrifugal force | kN | 285/196 | 285/196 | 285/194 |
| Centrifugal force | t | 29,1/20,0 | 29,1/20,0 | 29,1/19,8 |

Capacities

| | | | | |
|------------|---|-------|-------|-------|
| Fuel | l | 250,0 | 250,0 | 250,0 |
|------------|---|-------|-------|-------|

Technical modifications reserved. Machines may be shown with options.

Standard Equipment

- BOMAG ECOMODE
- Warning, information and operation displays with LCD
- Hydrostatic travel and vibration drive
- Hydrostatic articulated steering
- Articulated joint lock
- Rear axle with twin spring accumulator brakes
- Self locking differential
- Warning horn
- Single lever control for travel and vibration
- Seat with arm rest and adj. for position and height
- 2 Scrapers
- Emergency STOP
- Back-up alarm
- Working lights front / rear
- Double pump system for travel drive (DH/PDH)
- Tractor tires (PD)
- Loading mode
- Battery disconnect switch

Optional Equipment

- * ROPS/FOPS cabin with seat belts
 - Sliding window
- ROPS/FOPS with safety belt
- Air condition
- Rearview camera
- ECONOMIZER
- TERRAMETER
- BOMAG ECOSTOP
- BOMAG TELEMATIC POWER
- Padfoot segment kit (D/DH)
- Radio (Bluetooth)
- Indicator and hazard lights
- Special painting
- Rotary beacon
- Pre start cabin heating
- Environmentally compliant hydraulic oil
- Comfort package: Adjustable seat and adjustable steering column
- Measuring- and machine data interface for third-party suppliers
- Blade (DH/PDH)
- LED Working lights (Cabin)
- Reversing alarm buzzer with broad band audio

* Standard delivery with CE conformity
(valid within European Union)#72

