

DYNAPAC

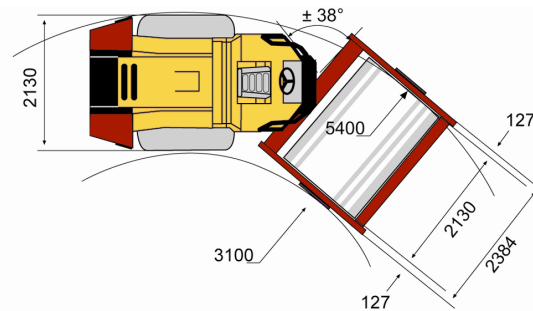
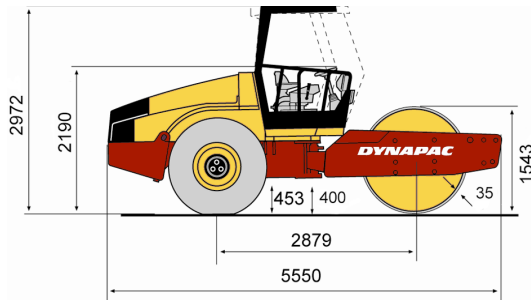
Part of the Atlas Copco Group

CA302D

Single drum vibratory rollers



Technical data



Masses		CA302D
Operating mass (incl. ROPS)		12,700 kg
Module mass (front/rear)		8,100/4,600 kg
Max. operating mass		14,900 kg
Traction		
Speed range		0-9
Vertical oscillation		±9°
Tyre size (8 ply)		23,1x26
Theor. gradeability		55 %
Compaction		
Static linear load		38.0 kg/cm
Nominal amplitude (high/low)		1.7/0.8 mm
Vibration frequency (high/low amplitude)		33/33 Hz
Centrifugal force (high/low amplitude)		300/146 kN
Engine		
Manufacturer/Model		Cummins QSB4.5
Type		Water cooled turbo Diesel with After Cooler
Rated power, SAE J1995		93 kW (125.0 hp) @ 2,200 rpm
Fuel tank capacity		250 l
Hydraulic system		
Driving		Axial piston pump with variable displacement. Axial piston motor with variable displacement. Axial piston motor with constant displacement.
Vibration		Axial piston pump with variable displacement. Axial piston motor with constant displacement.
Steering		Gear pump with constant displacement.
Service brake		Hydrostatic in forward and reverse lever.
Parking/Emergency brake		Failsafe multidisc brake in drum gear box and in rear axle.

Find your local dealer at www.dynapac.com

We reserve the right to change specifications without notice. Photos and illustrations do not always show standard versions of machines.
The above information is a general description only, all informations are supplied without liability.

ca302d_en-20120123.113803.pdf 2012-01-23 11:38